

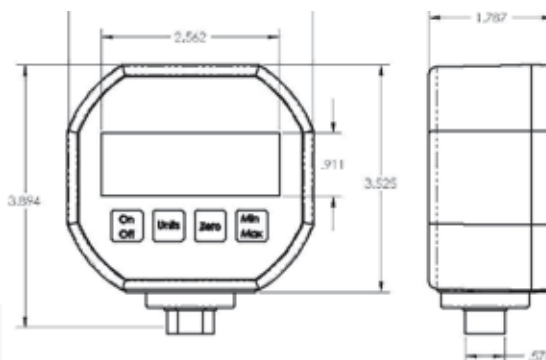
## AccuGauge

### Media Isolated Pressure Gauge

The **AccuGauge** is a media isolated digital pressure gauge featuring multiple units, min/max readings, selectable tare/zero and automatic power off to conserve battery power. A backlight provides improved visibility under marginal lighting conditions.

The **AccuGauge** is compatible with any liquid or gas that is compatible with 17-4 PH stainless steel. Please consult our factory for other available materials.

The pressure sensor is a one-piece high strength stainless steel design and contains no silicone oil, no welds and no internal O-rings.



<b>Pressure Range</b>	-14.7 to 50, 100, 250, 500, 1000 PSI. Other ranges are available.	<b>Thermal Limits</b>	Compensated Range 0 to 55°C (30 to 130°F)
<b>Measurement Units*</b>	Select between PSI, BAR, kg/cm <sup>2</sup> , ATM, In of Hg, In of H <sub>2</sub> O with the push of a button.	<b>Pressure Sensor</b>	TC Zero <+/-1.5% of FS
<b>Accuracy**</b>	< ± 0.5% of FS, BFSL	<b>Connection</b>	TC Span <+/-1.5% of FS
<b>Stability (1 year)</b>	±0.25% of FS	<b>Update Rate</b>	1/8"-27 NPT Female
<b>Overrange Protection</b>	2X Rated Pressure	<b>Power</b>	(Consult Factory for Other Options)
<b>Burst Pressure</b>	5X or 5,000PSI, whichever is less.	<b>Automatic Power Off</b>	2 Samples per Second
<b>Pressure Cycles</b>	>100 Million	<b>Battery Life</b>	9 Volt Alkaline Battery
<b>Temperature Ranges</b>		<b>Protection Rating</b>	1 Hour
Media	-55 to 125°C (-65 to 250°F)	<b>Instrument Case</b>	4000 Hours Operation (typ)
Operating (Ambient)	-10 to 70°C (-10 to 160°F)		NEMA 4, IP 65
Storage	-10 to 65°C (-10 to 150°F)		Polycarbonate

\* In of H<sub>2</sub>O unit on <= 250PSI range gauges only.

\*\* Accuracy includes Non-linearity, Hysteresis and Non-repeatability

# AccuGauge

## Operating Instructions Rev 1.1

The AccuGauge is a digital pressure gauge that can be used with any gas, liquid or solid that is compatible with 17-4 PH stainless steel. The AccuGauge transducer is a one-piece high strength stainless steel construction that uses no silicone oil, no welds, no o-rings or seals making it ideal for pressure measurements of all kinds. All functions of the AccuGauge are controlled from four front panel push buttons located below the display. Each button has a specific function as described below.

### ON OFF

Press and release this button to turn the AccuGauge ON. Press and hold this button to turn the AccuGauge OFF. When the AccuGauge is ON press and release this button to turn on the backlight. The AccuGauge will automatically turn OFF after one hour to conserve battery power.

### BACKLIGHT

The backlight of the AccuGauge will illuminate the LCD display for 10 seconds anytime one of the four buttons is pressed. To turn on the backlight without changing the display, press and release the ON/OFF button.

### UNITS

Press the UNITS button to cycle through the units of measurement the AccuGauge can display. The AccuGauge can measure pressure in PSI, BAR, Kg/cm<sup>2</sup>, Inches Hg, Inches H<sub>2</sub>O and ATM. The unit of measurement can be changed at any time and will not affect the operation of the AccuGauge.

### RELATIVE PRESSURE

Press and release the ZERO button to place the AccuGauge in relative pressure mode. The REL symbol will be displayed at the top of the LCD to indicate the gauge is operating in relative pressure mode. The display will rezero at the applied pressure that was acting on the Gauge at the moment the button is pressed and display pressure readings +/- relative to that pressure. Press this button again to return to GAUGE mode of operation, which displays pressure relative to the local pressure.

### ZERO

Over the course of time it may become necessary to reset the AccuGauge to zero. Press and hold the ZERO button until the REL symbol appears and disappears and the display reads zero pressure in the selected units of measurement. Release the ZERO button and the display will read zero pressure in the current units selected.

### MIN MAX

The MIN MAX button allows the user to read the minimum and maximum pressure the AccuGauge has detected during the time that the gauge has been on. These readings are not saved and reset every time the gauge is powered off. Press the MIN MAX button once and the MIN symbol will be displayed along with the minimum pressure, press the MIN MAX button again and the MAX symbol will be displayed along with the maximum pressure. Press the MIN MAX button again and the MAX symbol will disappear and the gauge will display the current pressure. Press and hold the MIN MAX button to reset the minimum and maximum pressure readings.

### LOW BATTERY

The AccuGauge has a battery condition indicator in the upper left corner of the LCD display. The indicator is composed of a battery symbol and four vertical bars. As the battery discharges the vertical bars will disappear from right to left. When all four bars have disappeared the battery is nearly discharged. As a final warning the symbol LOW BAT will be displayed and indicates the battery is nearing complete discharge and should be changed immediately. For best results replace the battery immediately. Use only Alkaline or Lithium 9V batteries.

### BATTERY REPLACEMENT

(NOTE: DO NOT open the AccuGauge unless it is necessary to change the Battery.) To replace the AccuGauge's Battery, use a Phillips Head screwdriver to remove the four screws from the back plate of the gauge. Unplug the battery cable from the battery terminals. Remove the battery from the battery holder. Put a new battery into the holder, ensuring that it is firmly in place. Plug the battery cable into the terminals of the battery. Make sure that the polarity is correct. Replace the cover firmly in place. Replace the four screws.